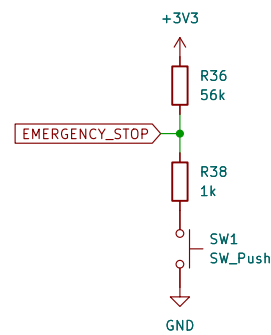
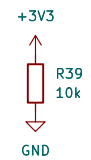
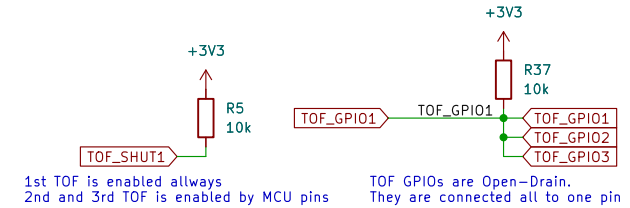
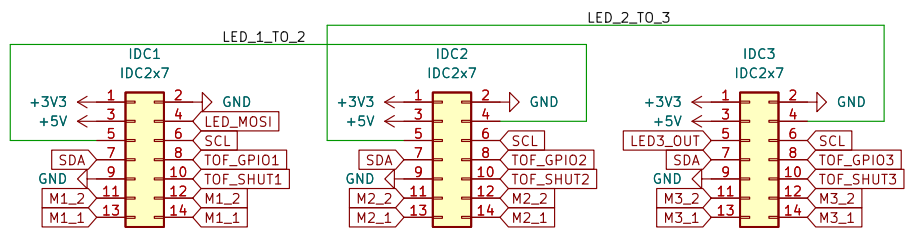
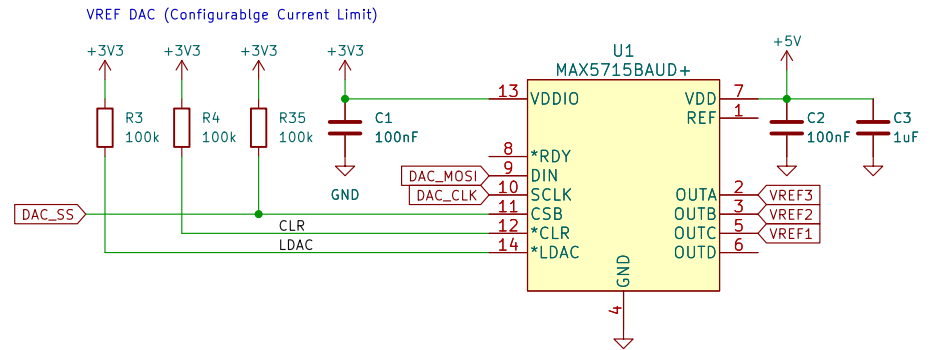
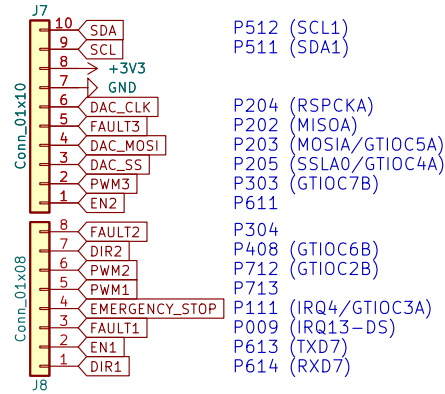
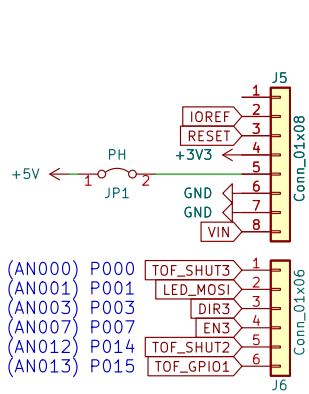
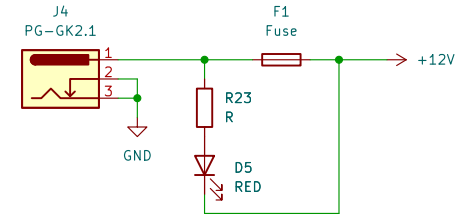
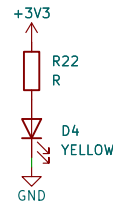
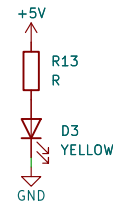
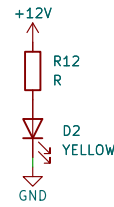
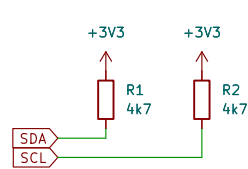




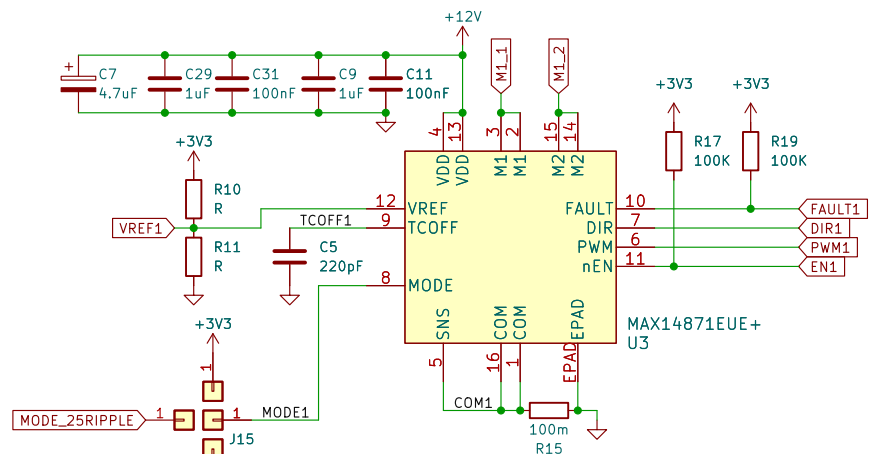
File: h_bridges.kicad_sch



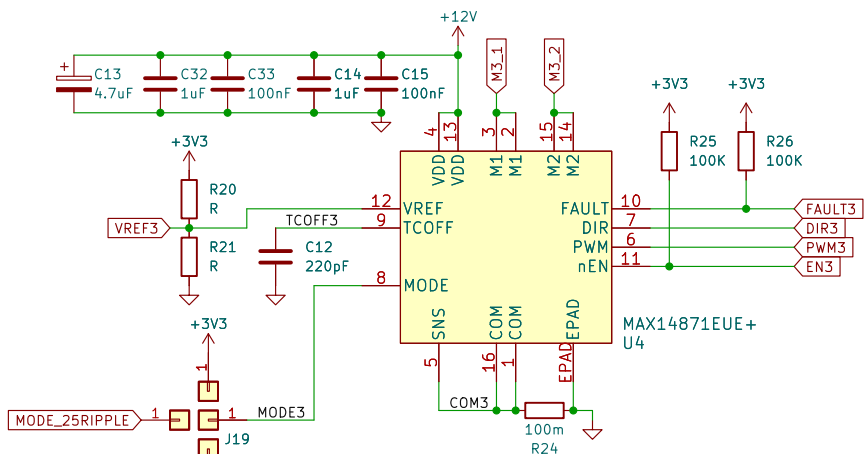
File: 5v_reg.kicad_sch



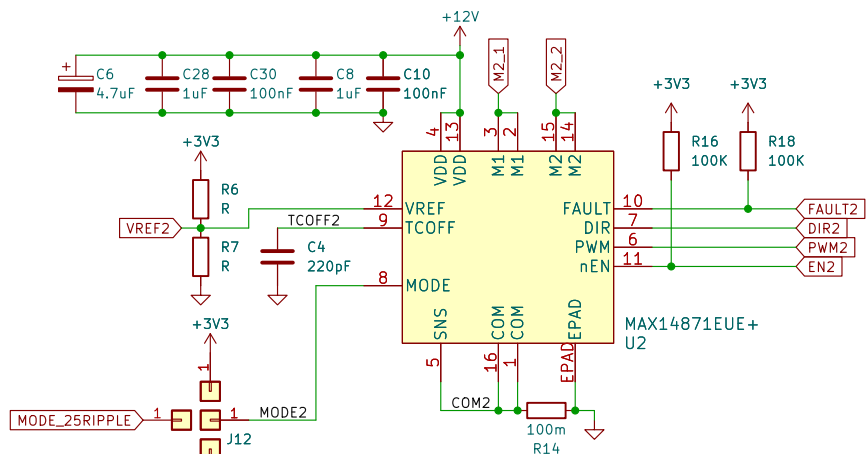
Sheet: /	
File: MotorControlShield.kicad_sch	
Title:	
Size: A4	Date:
KiCad E.D.A. kicad (6.0.7)	Rev: Id: 1/3



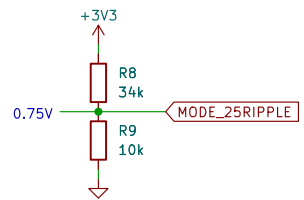
JUMPER CONFIGURATION:
 CENTER-3V3 (UP): SLOW DECAY REG
 CENTER-GND (DOWN): FAST DECAY REG
 CENTER-DIV (LEFT): FAST DECAY WITH 25% RIPPLE



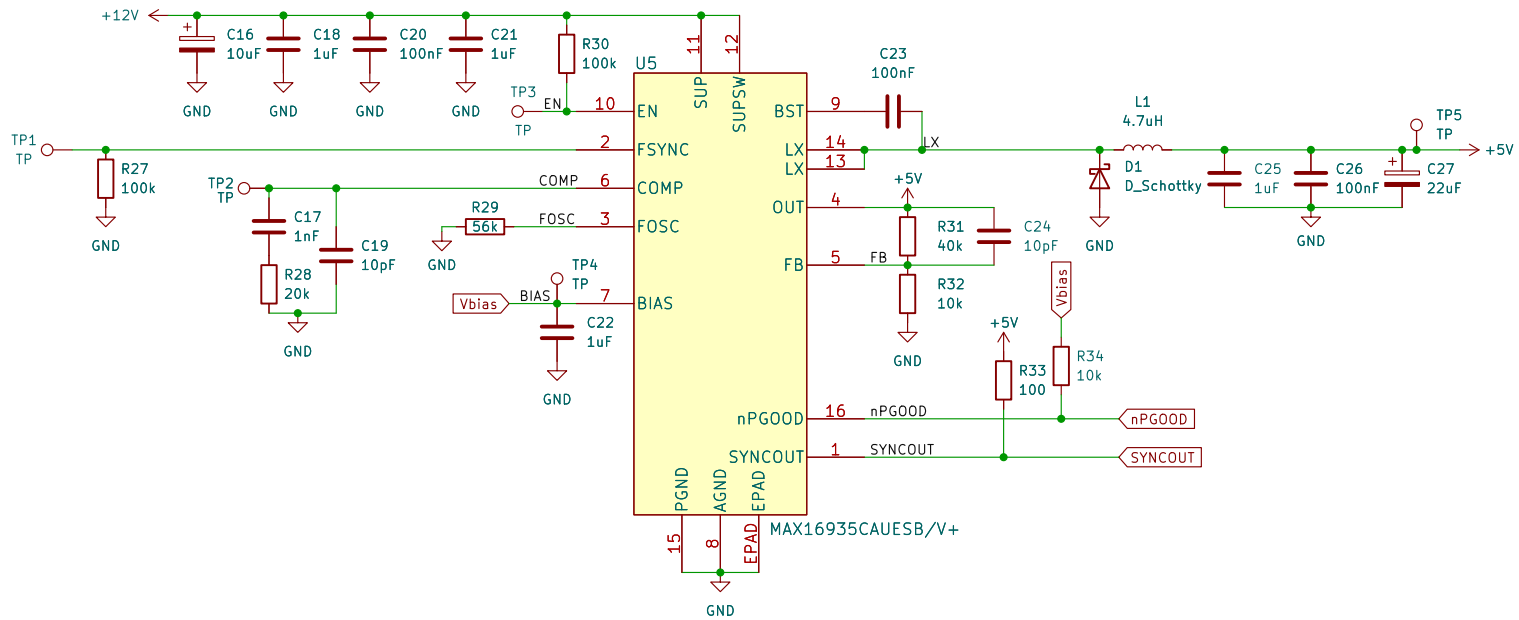
JUMPER CONFIGURATION:
 CENTER-3V3 (UP): SLOW DECAY REG
 CENTER-GND (DOWN): FAST DECAY REG
 CENTER-DIV (LEFT): FAST DECAY WITH 25% RIPPLE



JUMPER CONFIGURATION:
 CENTER-3V3 (UP): SLOW DECAY REG
 CENTER-GND (DOWN): FAST DECAY REG
 CENTER-DIV (LEFT): FAST DECAY WITH 25% RIPPLE



Sheet: /HBridges/		File: h_bridges.kicad_sch	
Title:			
Size: A4	Date:	Rev:	
KiCad E.D.A. kicad (6.0.7)		Id: 2/3	



Sheet: /5V Regulator/
 File: 5v_reg.kicad_sch

Title:

Size: A4
 KiCad E.D.A. kicad (6.0.7)

Date:

Rev:
 Id: 3/3