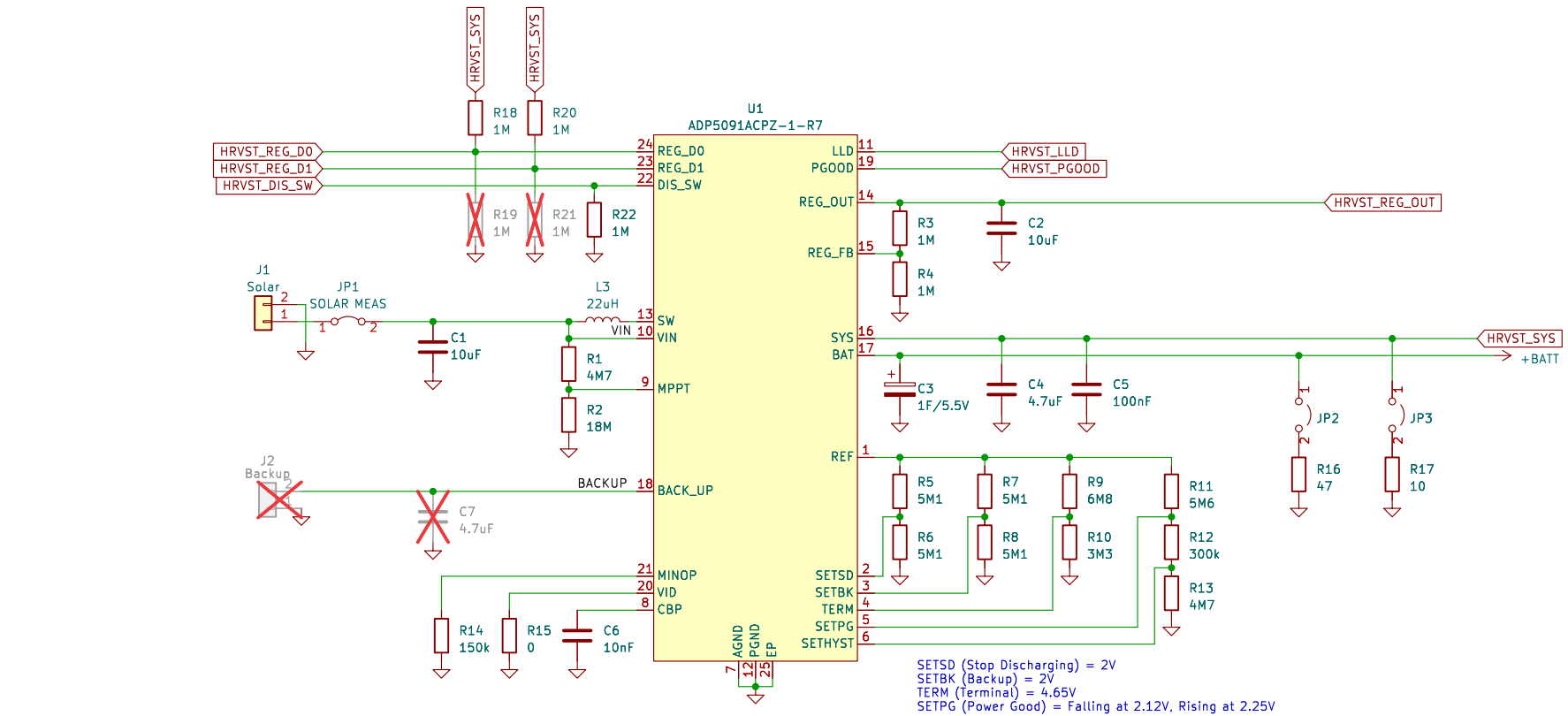
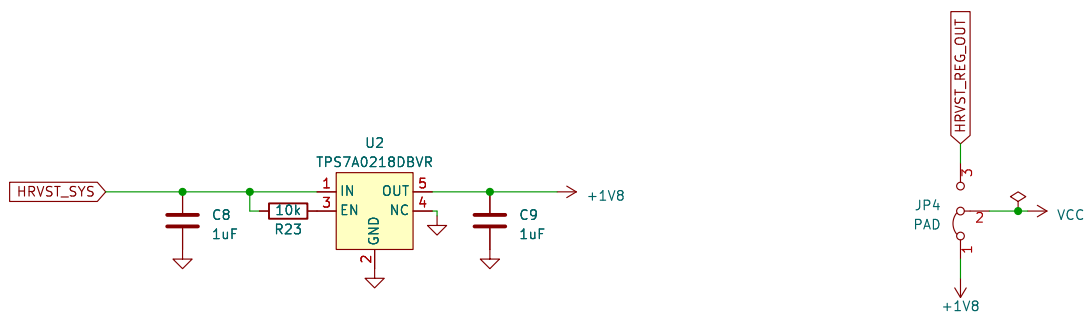


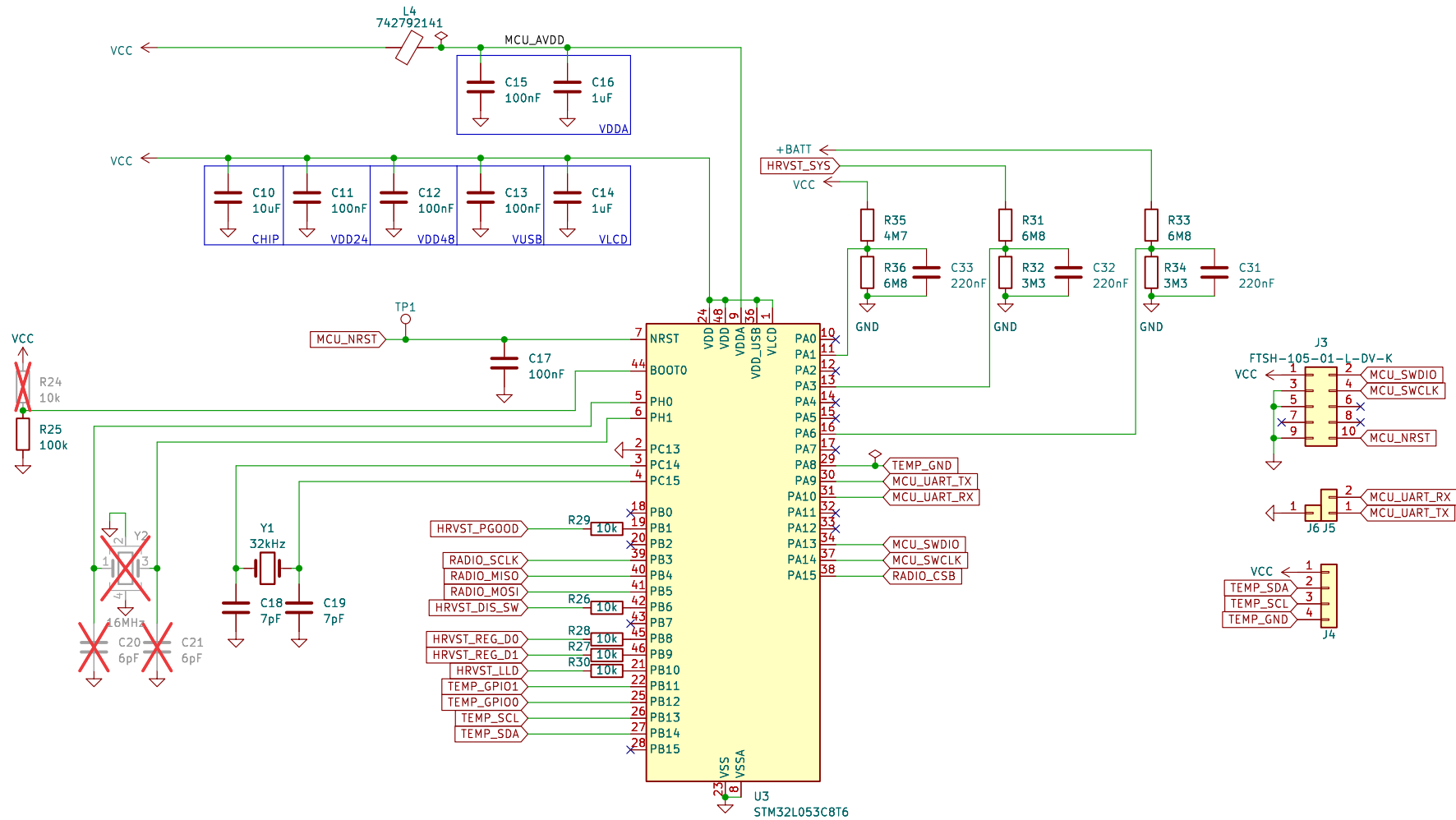
REG\_D0 (Enable Boost) = HIGH = Enabled by default  
 REG\_D1 (Enable LDO) = HIGH = Enabled by default  
 MCU can change settings after powerup



SETSD (Stop Discharging) = 2V  
 SETBK (Backup) = 2V  
 TERM (Terminal) = 4.65V  
 SETPG (Power Good) = Falling at 2.12V, Rising at 2.25V



Sheet: /HRVST_ADP5091/		Date:	
File: hrvst_adp5091.kicad_sch		Rev:	
Size: A4	KitCad E.D.A. kicad (7.0.0)	Id: 2/5	



Sheet: /MCU STM32L0/  
 File: mcu\_stm32l0.kicad\_sch

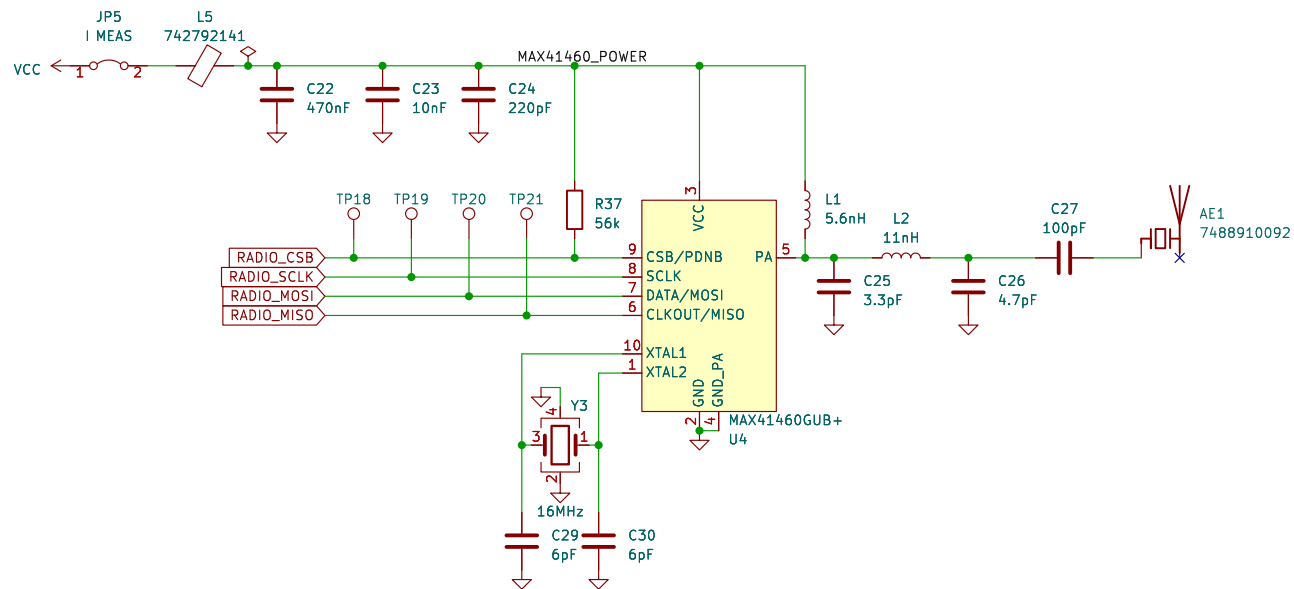
**Title:**

Size: A4  
 KiCad E.D.A. kicad (7.0.0)

Date:

**Rev:**

Id: 3/5



Sheet: /RADIO\_MAX41460/  
 File: radio\_max41460.kicad\_sch

**Title:**

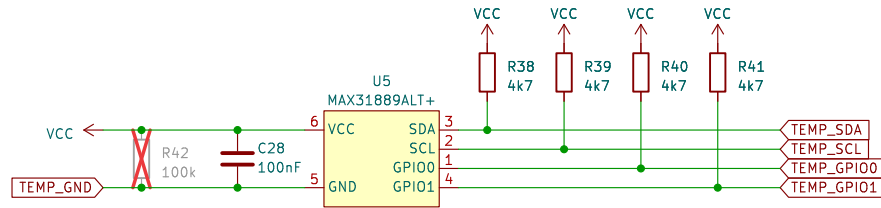
Size: A4

Date:

Rev:

KiCad E.D.A. kicad (7.0.0)

Id: 4/5



Sheet: /TEMP\_MAX31889/  
File: temp\_max31889.kicad\_sch

**Title:**

Size: A4 Date:  
KiCad E.D.A. kicad (7.0.0)

Rev:  
Id: 5/5